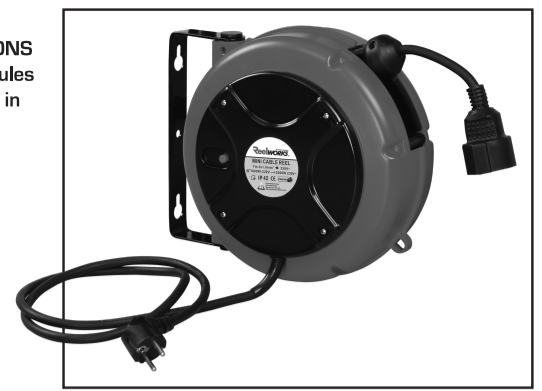


Instruction Manual for 6328 series EUROPE



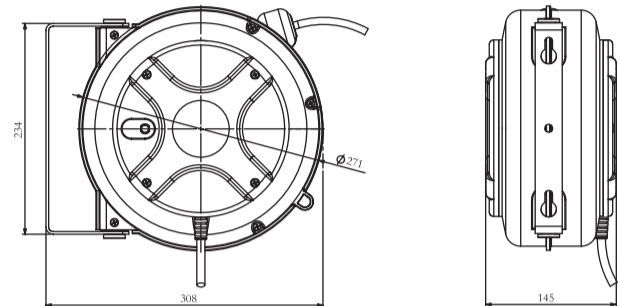
09.01

⚠ WARNING:
Read carefully and understand all INSTRUCTIONS before operating. Failure to follow the safety rules and other basic safety precautions may result in serious personal injury.
Save these instructions in a safe place and on hand so that they can be read when required.



Technical Details

Item No.	Cable Specification				Volt	Full rolled Watts	Full extended Watts
	Sectional Area (mm ²)	Number of Core	Type	Length(m)			
63282125	1.0	2	H05VV-F / H05RN-F	12	230V	800	1500
63283103	1.5	3	H05VV-F	10	230V	1000	2000
63283083	1.5	3	H07RN-F	8	230V	1000	2000



Safety Precautions

GENERAL SAFETY RULES

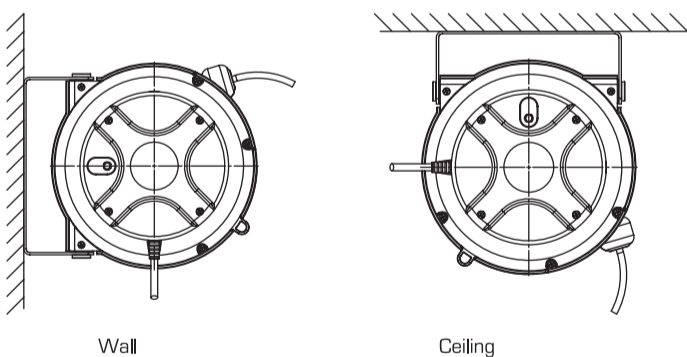
⚠ WARNING: Read and understand all instructions.

⚠ WARNING: The warnings, cautions, and instructions discussed in this instruction manual cannot cover all possible conditions or situations that could occur. It must be understood by the operator that common sense and caution are factors which cannot be built into this product, but must be supplied by the operator.

- 1) Ensure that only the qualified electrician can install/services this cable reel. And it must not be used by children or unskilled persons.
- 2) Ensure that power supply voltage does not exceed maximum voltage rating of reel.
- 3) Ensure that reel is properly be installed before connecting to power supply.
- 4) Ensure that all electrical power is removed from reel before servicing.
- 5) Check for frayed and broken wires before each use.
- 6) When pull electrical cable from the reel always grasp the electrical cable itself, not the work device.
- 7) Remove power from the reel immediately when any malfunction occurs.
- 8) Never remove, tamper with or cut out the safety devices fitted by the manufacture.
- 9) Do not use the reel in damp or wet conditions. Keep the work area is clean. Avoid put in sundries in cable reel.

Installation

- 1) The cable reel must be installed in premises conforming to current regulation and standards covering electrical systems and work environments.
- 2) Unpack and inspect reel for damage. Turn by hand to check for smooth operation. Check for completeness.
- 3) For overhead ceiling mounting: Install reel at most 10feet / 3m above the floor.
- 4) You will need to purchase appropriate hardware for mounting your new reel.
- 5) The reel base has three 8.5mm (21/64") drilled holes for mounting on a suitable flat surface.
- 6) Using the three holes in the base, mount the reel in the desired location. Be sure to use appropriate hardware and tighten securely.
- 7) Adjust the cable stopper to the suitable position when required.



Operation

1. Check reel for correct operation by slowly pulling out the hose. A "clicking" noise will be heard every half revolution of the drum.
2. To latch the reel, pull out the cable and allow it to retract after hearing the first second or third "click".
3. To unlatch, slowly pull out the hose until the "clicking" noise stops, then let the cable retract until the cable stopper rests against the cable guide.
4. When over loading, the thermal cut-out will cut off automatically, then push the red button until restore.

Note: To avoid damage to the reel, always hold on to the cable while it is rewinding.

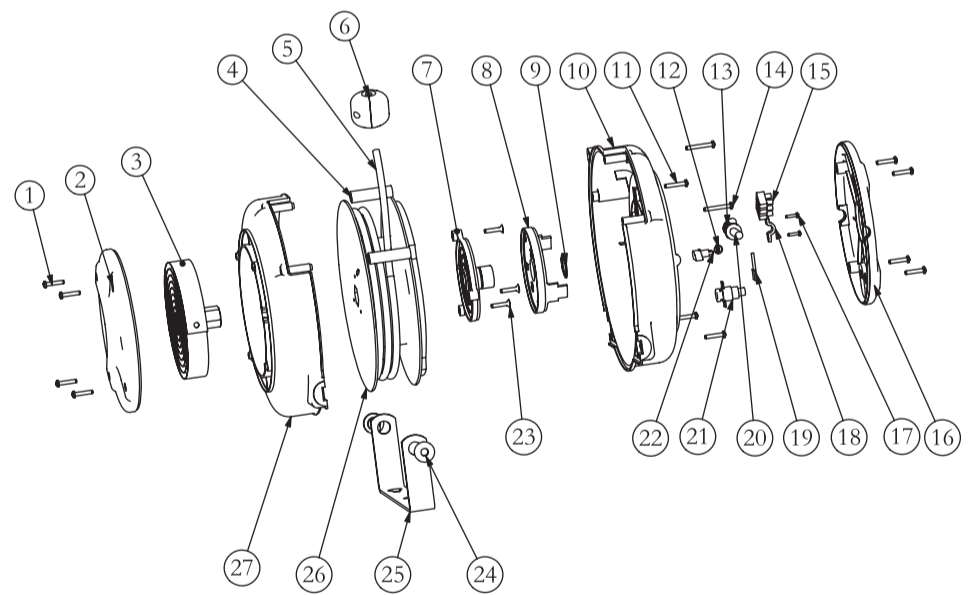
Maintenance

Make sure the cable is in proper working order and that the insulation is not cut or worn as this could represent a hazard and jeopardize operation. Clean the cable with a cloth dipped in warm water to remove dirt or deposits and ensure correct rewinding. Do not use detergents or solvents which could prove incompatible with cable-winder materials. If the event of having to perform maintenance on the electrical, mechanical parts or replace the cable, contact an authorized after-sale service center. Dismantling of the unit by unskilled personal could prove hazardous; the risk involved mainly concern the preloaded springs.

Limited Warranty

1. The manufacturer warrants this cable reel against defects in material and craftsmanship, for a period of 24 months from date of purchase, but not including cable, socket.
2. Manufacturer's liability is limited to replacement or repair of defective material within the warranty period, when returned freight prepaid to the distributor or their designated service depot.
3. The warranty does not cover damage caused by accident, misuse or faulty installation.
4. The reel must be installed and maintained in compliance with the instructions.

Explore and Parts list



Part No.	Description	Q'ty	Part No.	Description	Q'ty
1	Screw	10	15	Terminal	1
2	Right Cover	1	16	Left Cover	1
3	Main Spring Assembly	1	17	Screw	2
4	Roller	2	18	Cable block	2
5	Cable with Socket	1	19	Connect Wire	1
6	Stopper Assembly	1	20	Lead-in Cable Assembly	1
7	Movable Plate Assembly	1	21	Thermal Cut-out	1
8	Fixed Plate Assembly	1	22	Ratchet Paw	1
9	Retainer	1	23	Screw	3
10	Outer Casing	1	24	Pin	2
11	Screw	1	25	Bracket	1
12	Ratchet Spring	1	26	Drum	1
13	Protector	1	27	Outer Casing	1
14	Screw	2			

⚠ WARNING

Your risk from these exposures varies, depending on how often you do this type of work. To reduce your exposure to these chemicals: work in a well ventilated area, and work with approved safety equipment, such as those dust masks that are specially designed to filter out microscopic particles.